

iSpeaker AAC4

40W Ceiling Speaker

User Manual V1.2





Table of Contents

1. INTRODUCTION	3
2. FEATURES	3
3. PACKAGE CONTENTS	3
4. SPECIFICATION	4
5. CONNECT & POWER ADJUST.....	5
5.1 CONNECTION	5
5.2 ADJUST POWER OUTPUT.....	5
6. PRODUCT DIMENSION	6
7. INSTALLATION STEPS	7
8. WARNING.....	10
9. DAILY MAINTENANCE	10
10. CONTACT US.....	10

1. INTRODUCTION

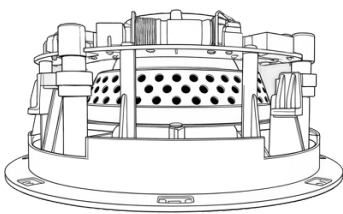
The iSpeaker AAC4 is the representative of the new technical in-ceiling speakers. It gives you the excellent sound effects and is suitable for background music and calling system. It is the best choice for the business places that need wide band, including hotels, restaurants, clubs and conference.

6.5-inch semi-automatic installation without rear barrel, constant pressure, constant resistance, adjustable high-fidelity ceiling speaker.

2. FEATURES

- 6.5-inch semi-automatic
- High Voltage and Constant Impedance
- Tweeter: 1" rotatable silk soft dome
- Woofer: 6.5" polypropylene cone
- Sensitivity: 90dB@1W/1m
- Rated power (8Ω): 40W
- Rated power (70V): 40W/20W/10W/5W
- Rated power (100V): 40W/20W/10W
- Frequency Response: 57Hz-20KHz
- Dimensions: 229×101mm
- Depth: 98.3mm

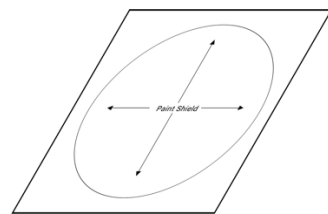
3. PACKAGE CONTENTS



iSpeaker AAC4: 1pcs



Mesh Cover: 1pcs



Cutout Template: 1pcs

4. SPECIFICATION

Model	iSpeaker AAC4
Name	40W Ceiling Speaker
Tweeter	1" rotatable silk soft dome
Woofer	6.5" polypropylene cone
Sensitivity	90dB@1W/1m
Frequency response	57Hz-20kHz
Rated power (8Ω)	40W
Rated power (70V)	40W/20W/10W/5W
Rated power (100V)	40W/20W/10W
Dimensions	229×101mm
Depth	98.3mm
Total height of speaker	108mm
Installation Thickness	15-37mm
Drill Diameter	201-220mm
Outer Diameter	231mm
Operating Temperature	- 10°C~+50°C
Storage Temperature	- 20°C~+60°C
Humidity	90% (non-condensing)
Net Weight (Each)	1.8KG
Gross Weight	13.9kg (6pcs in one CTN)
Package Dimension	559*445*290mm (6pcs in one CTN)

5. CONNECT & POWER ADJUST

5.1 CONNECTION

Connect the two push-down binding ports to the amplifier output.



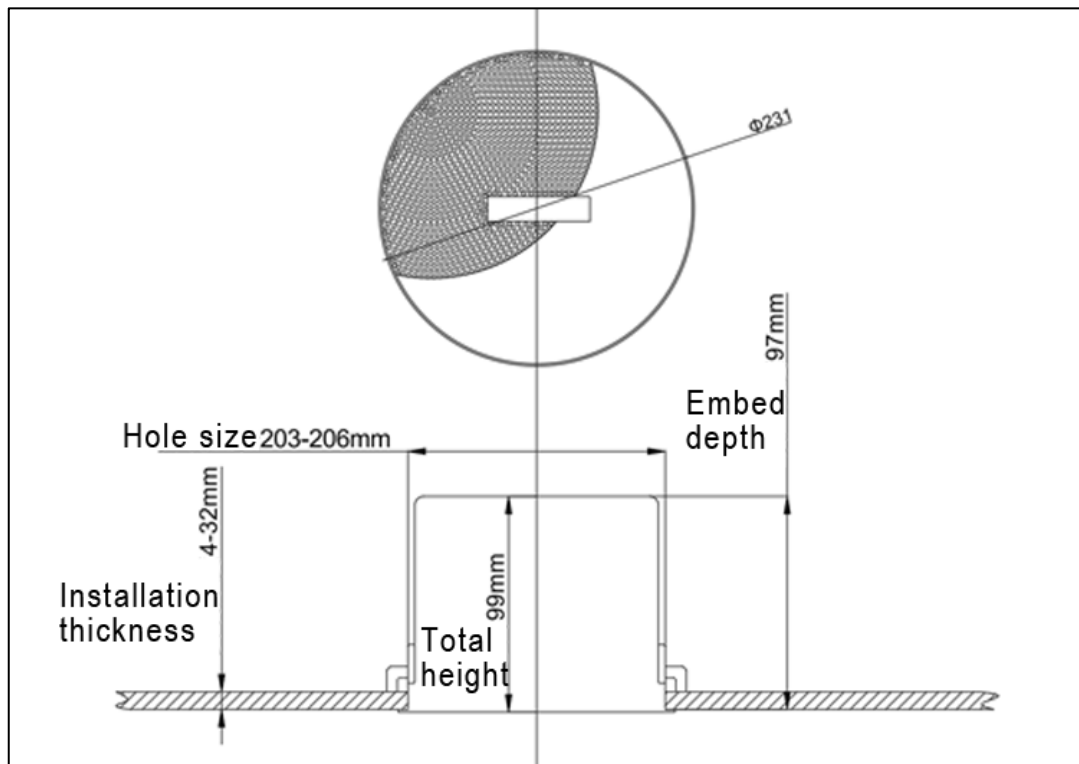
5.2 ADJUST POWER OUTPUT

Turn the knob at back side to adjust power output according to 70V, 100V or 8Ω

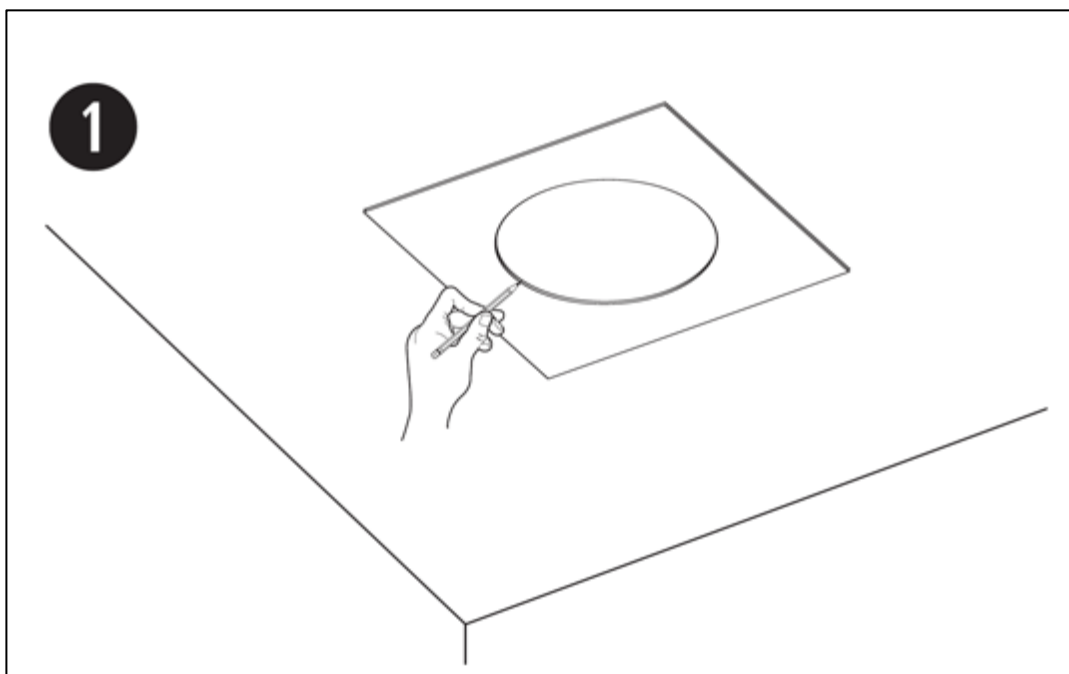
70V	40W	20W	10W	5W
100V	40W	20W	10W	NA
8Ω	40W	NA	NA	NA



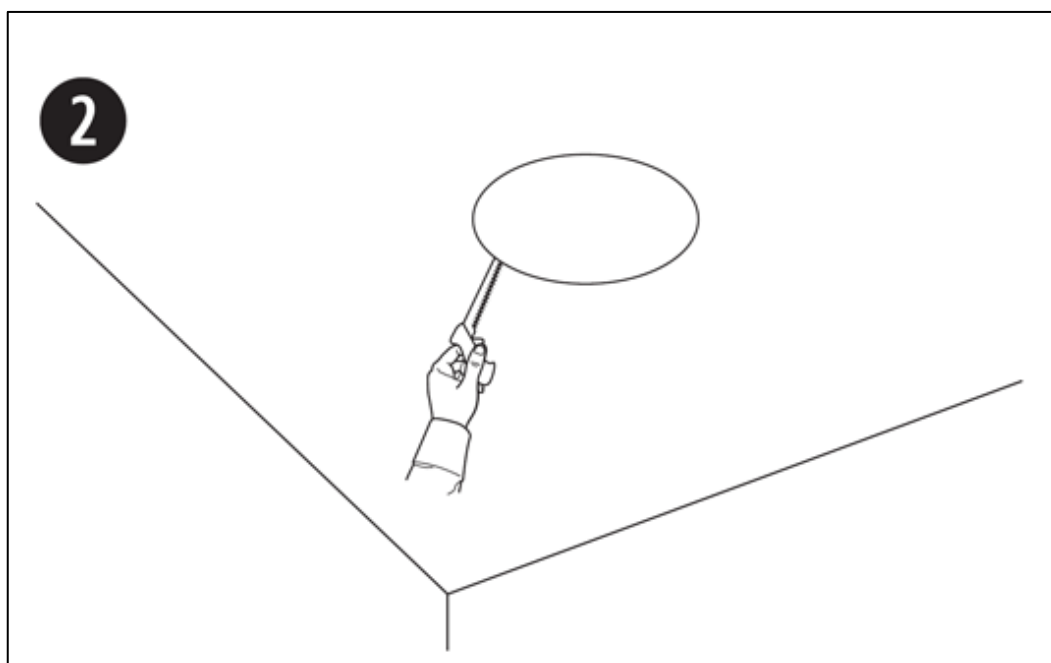
6. PRODUCT DIMENSION



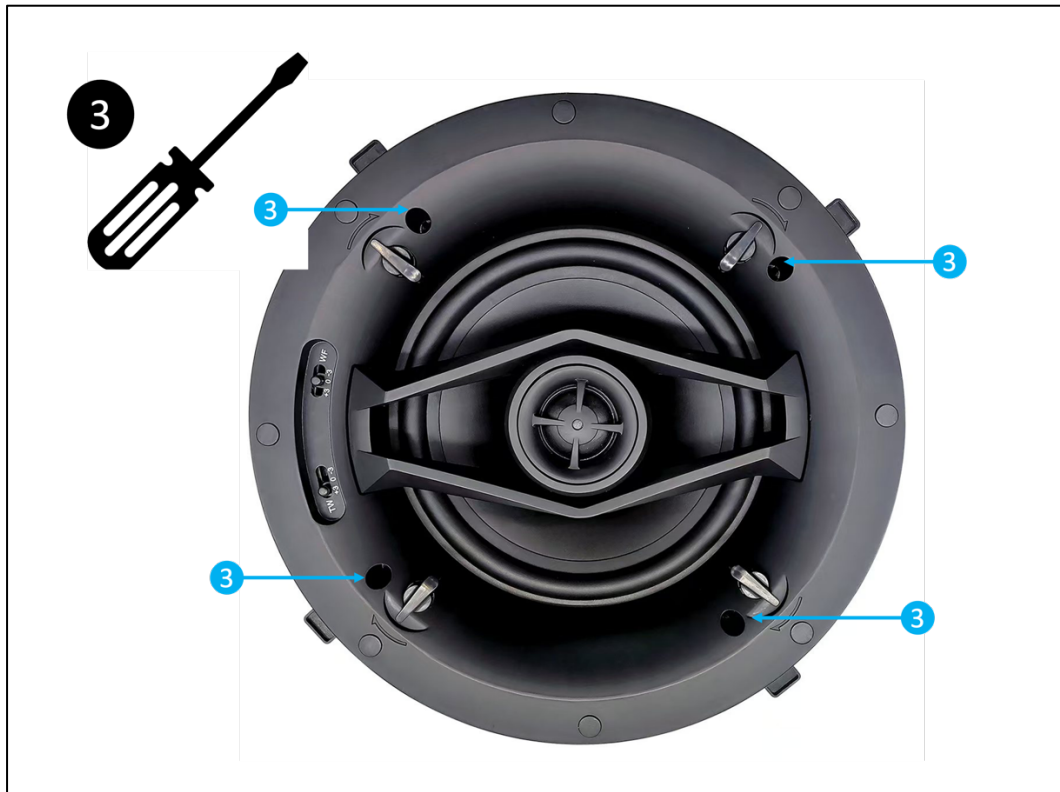
7. INSTALLATION STEPS



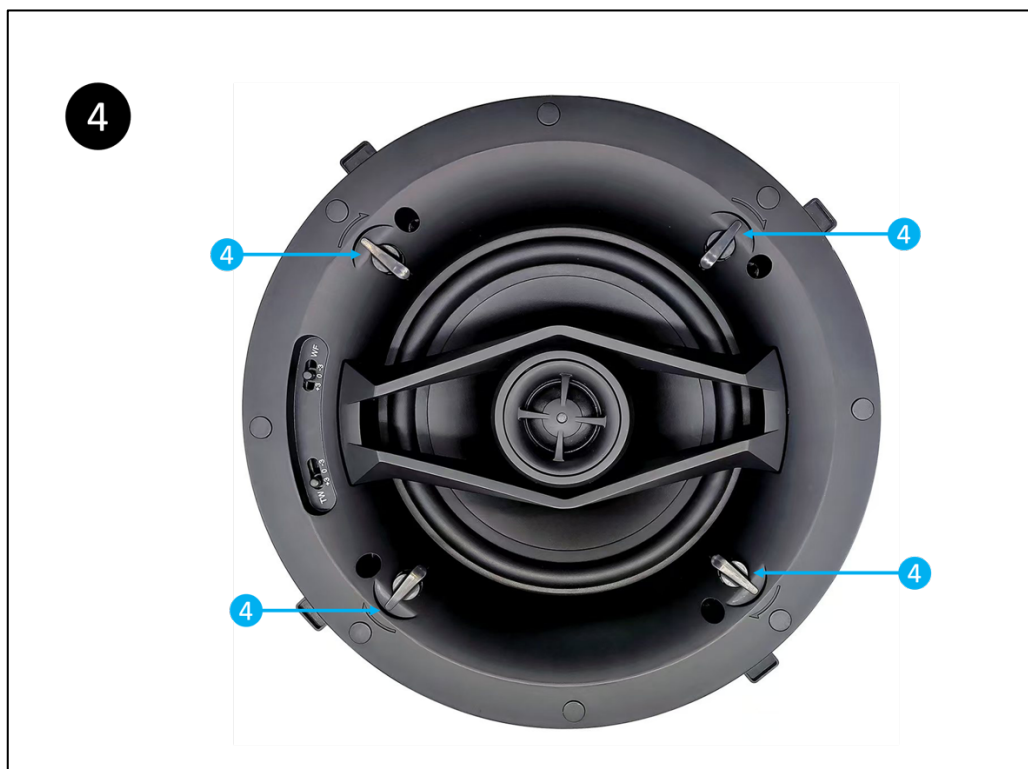
Step 1: Use a pen to draw and confirm the right position on the ceiling.



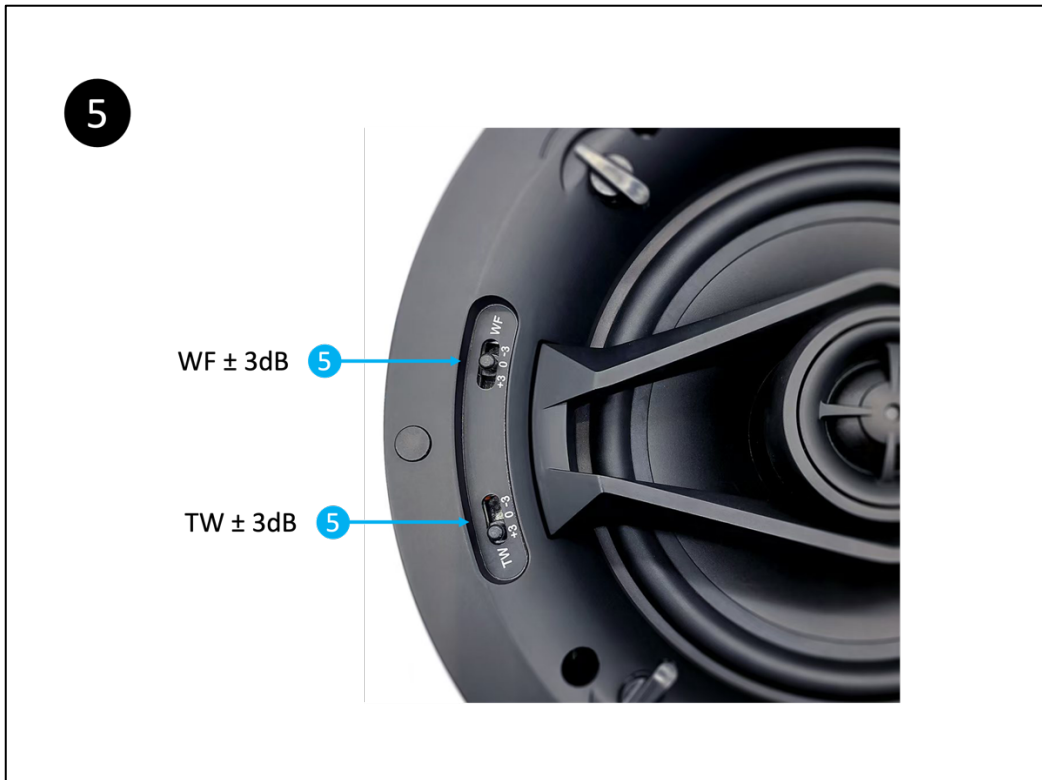
Step 2: Cut the hole in the ceiling.



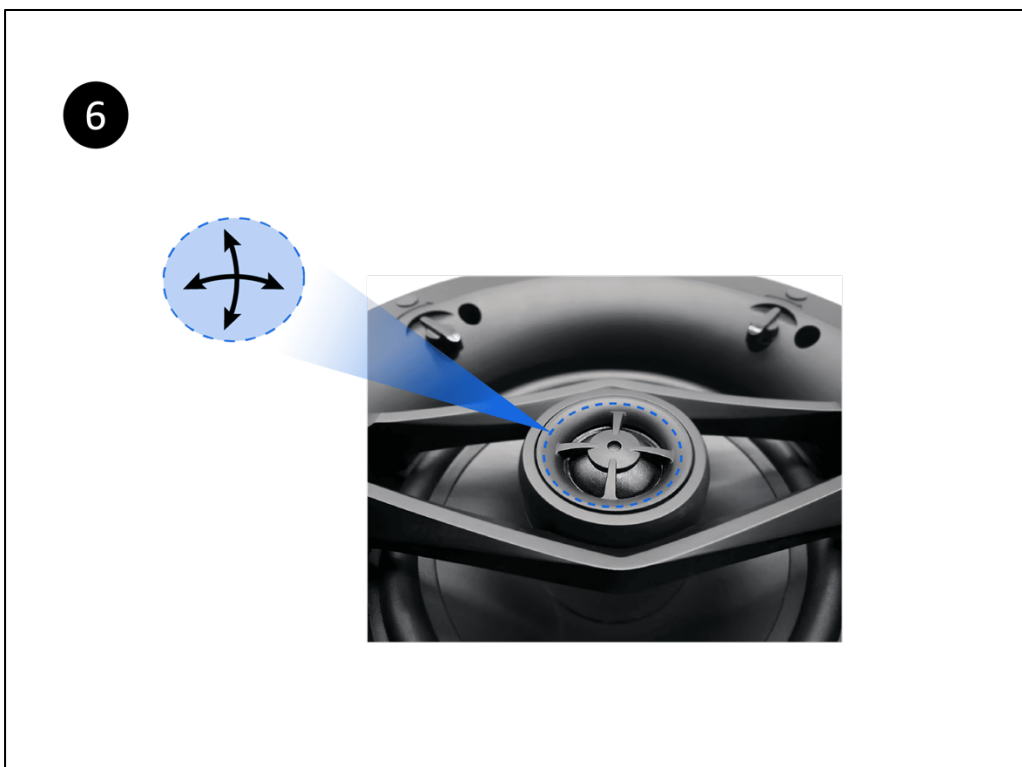
Step 3: Insert the screwdriver into the #3 holes to push and turn the locker to “Open” position. Then insert the speaker into the cutout.



Step 4: Turn the knobs (#4) following the arrow direction to lock the speaker.



Step 5: After the installation completed, adjust the treble according to your needs.



Step 6: Adjust the treble angle according to your needs.



Step 7: Install the mesh cover

8. WARNING

Before putting the wire through the cable raceway, install the safety rope and fix it at a suitable load-bearing position in the ceiling is always being considered!

The plastic bag inside the package may pose a choking hazard, so keep it away from babies or children. Please follow this instruction manual for proper installation.

9. DAILY MAINTENANCE

During the use of the product, please check whether the fixing screws are loose regularly, and if they are loose, please strengthen them in time.

10. CONTACT US

For any technical support, please contact us via info@infobitav.com or visit our website www.infobitav.com